

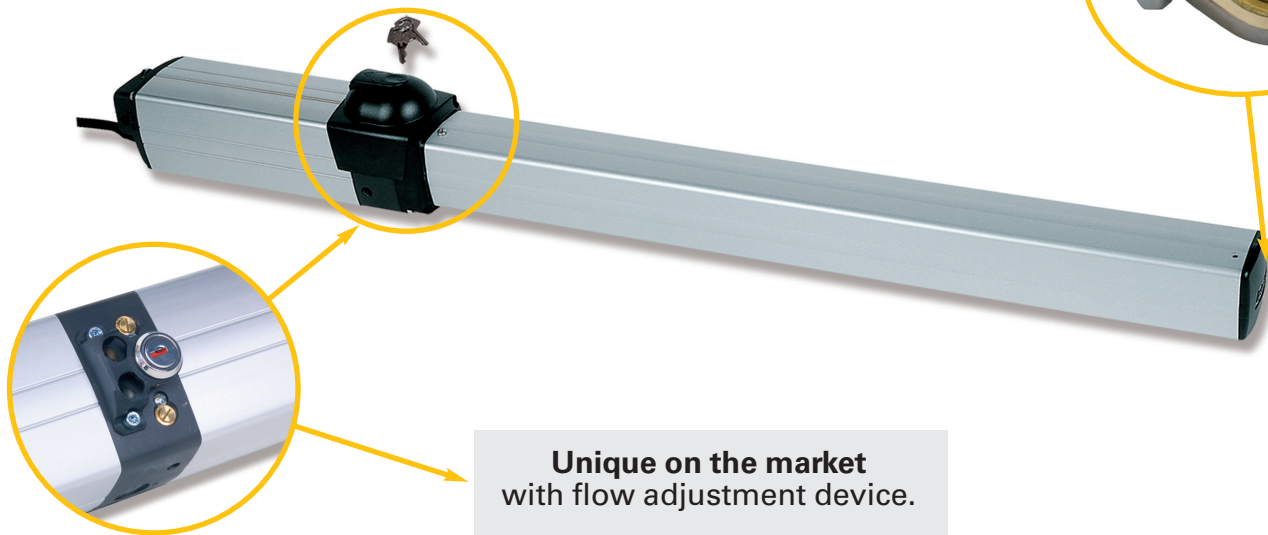
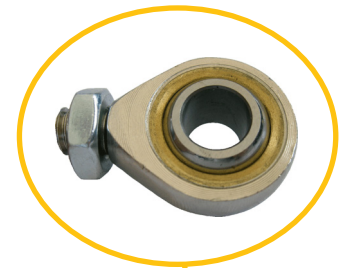


ZT 44 RF - ZT 42

Hydraulic operator for swing gates,
with flow adjustment (RF).
Residential, condominium and intensive use.

■ **Double valve flow adjustment device** for regulating gate opening and closing speed. Compensates for the unbalanced loads created by wind and out of plumb installation of very light and medium heavy gates.

Uniball Bracket



Unique on the market
with flow adjustment device.

■ **The hydraulic slowdown system** for gate closure can be adjusted during installation to ensure gradual and silent leaf approach and to prevent structural stress.

■ **The anti-crush system** with ultra-sensitive bypass valves can be calibrated during installation to limit hydraulic pressure if the gate meets an obstacle, thus ensuring maximum operating safety.

■ **The emergency release system** ensures good burglary protection thanks to a personalised key. The system is protected by the top cover and does not spoil the operator's attractive lines.

■ **The rear flange** with articulated aluminium fork permits flexible but sturdy assembly on the pillar.

■ **The front mounting features** a uniball type ball joint. Its threaded bolt can be used to adjust gate or installation flaws.

■ **The neoprene power supply cable** is specially designed for mobile, outdoor installations.

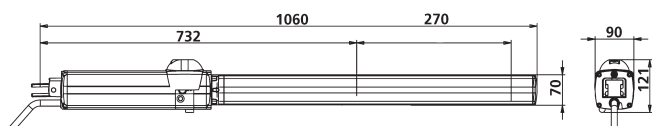
TECHNICAL DATA	ZT 42	ZT 44
POWER SUPPLY	230 V - 50 Hz	230 V - 50 Hz
ABSORBED POWER	250 W	250 W
MAX. THRUST FORCE	3850 N	3850 N
VERSIONS	B - SR	B - C - SF RF DS
FLOW ADJUSTMENT	NO	YES
CLOSING SLOWDOWN	YES	YES
CLOSING AND OPENING SLOWDOWN	NO	SF RF DS
OPENING TIME*	13 sec.	20 sec.
OPERATING TEMPERATURE	-20°C to +70°C	-20°C to +70°C
MAX. LEAF WIDTH	1,2 m	4 m
ROD STROKE	190 mm	275 mm
WEIGHT	7,5 kg	8 kg
MAX. CYCLES	800 cycles/day	800 cycles/day
ANTI-CRUSH SYSTEM	Bypass valves	Bypass valves
PROTECTION CLASS	IP 55	IP 55

*Regulation of the flow adjustment valves can extend opening time.

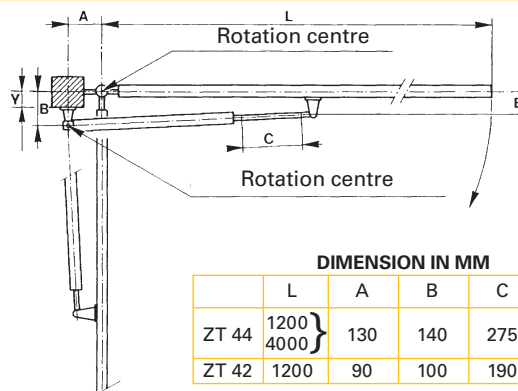
ZT 44 RF - ZT 42



OPERATOR DIMENSIONS



OPERATOR POSITIONING



DIMENSION IN MM					
	L	A	B	C	Y (max)
ZT 44	1200 4000	130	140	275	90
ZT 42	1200				

DESCRIPTION

DESCRIPTION	Max. leaf width	CODE
ZT 44 C RF With flow adjustment valves Hydraulic operator with lock in closed position	1,8 m	41009/005
ZT 44 SF RF DS With flow adjustment valves Hydraulic operator without lock and with double slowdown	4,0 m	41009/009
ZT 44 B RF With flow adjustment valves Hydraulic operator with lock in open and closed position	1,8 m	41009/007
ZT 42 B (pedestrian gates) Hydraulic operator with lock in open and closed position	from 0,8 m to 1,2 m	41008/001
ZT 42 SR (pedestrian gates) Hydraulic operator without lock	from 0,8 m	41008/002

All operators are equipped with adjustable hydraulic slowdown on closing and a personalised key release system.

DESCRIPTION OF OPTIONAL ACCESSORIES

DESCRIPTION OF OPTIONAL ACCESSORIES	CODE
TR2 - 433.92 MHz twin-channel transmitter	41903/002
ER4N - Pair of photocells	41812/001
CAL - Aluminium post for ER4N photocell	41812/050
433,92 MHz antenna	41929/001
Electric lock (for gates with wings longer than 1.8 m):	
ES3 - Electric lock complete with ground striker plate (for gate leaf longer than 1,8 m up to 3 m) CL series cylinder required	41080/008
CL1 - "DEAD HEAD" single cylinder	41080/005
CL2 - "DEAD HEAD" double cylinder	41080/004

IDEAL INSTALLATION

IDEAL INSTALLATION	Max. leaf length	Q.ty	CODE
SET "INT" ZT 44 4M C RF	1,8 m*	1	41009/800
SET "INT" ZT 44 B RF	1,8 m*	or 1	41009/805
SET "INT" ZT 44 4M SF RF (electric lock required)	4,0 m	or 1	41009/801
Every package includes: Two ZT 44 operators, two covers, emergency release key T1E - Electronic control unit			
TR2 - 433.92 MHz twin-channel transmitter		1	41903/002
Unico 433,92 MHz Memory System radio receiver complete with antenna		1	41923/009
ET20N - 230 V flashing light		1	41841/009
ER4N - Pair of photocells		1	41812/001
PC12E - Key switch for wall mounting		1	41830/007

* For leaf longer than 1,8 meters is recommended the use of an electric lock.

NOTE: for control and safety devices and installation accessories, see section "Electronic devices and installation accessories" in this catalogue (consult the index).